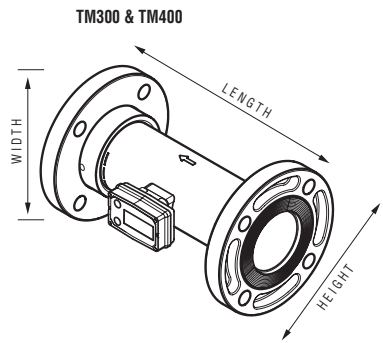
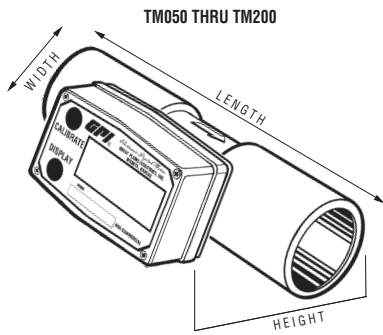


## TM Meters



Model	Length* inches (mm)	Height** inches (mm)	Width inches (mm)
TM050	3.8 (96)	2.6 (66)	2.0 (51)
TM050-N	5.8 (147)	2.6 (66)	2.0 (51)
TM075	3.8 (96)	2.7 (68)	2.0 (51)
TM075-N	5.8 (147)	2.7 (68)	2.0 (51)
TM100	4.1 (104)	3.1 (79)	2.0 (51)
TM100-N	6.1 (155)	3.1 (79)	2.0 (51)
TM150	5.4 (137)	3.7 (94)	2.1 (53)
TM150-N	7.4 (188)	3.7 (94)	2.1 (53)
TM200	5.5 (140)	4.2 (107)	2.4 (61)
TM200-N	7.5 (190)	4.2 (107)	2.4 (61)
TM300 (Spigot)	11.5 (292)	5.34 (136)	3.5 (89)
TM400 (Spigot)	13.5 (343)	6.34 (161)	4.5 (114)
TM300 (NPT)	14.7 (373)	5.78 (147)	4.37 (111)
TM400 (NPT)	17.0 (432)	6.76 (172)	5.34 (136)
TM300 (Flange)	12.0 (305)	7.5 (190)	7.5 (190)
TM400 (Flange)	14.0 (356)	9.0 (229)	9.0 (229)

\* Length guidelines are estimates; actual length can vary up to  $\pm 1/2"$ .  
 \*\* Display display adds 1.1 in. (28 mm) to height.